

Small Animal Retraction System

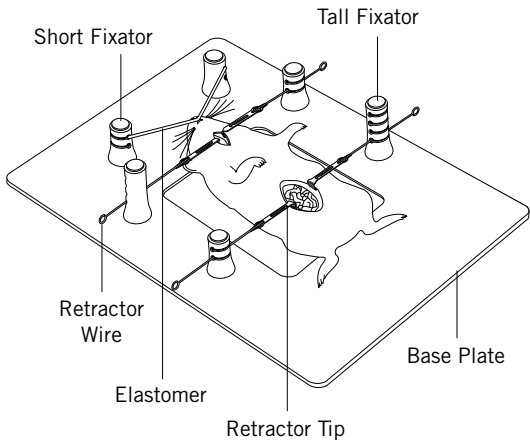
Kit for animals up to 200g

Instruction Manual

Item # 18200-20

Overview

- Eliminates the need for an assistant
- Reduces setup and procedure time
- Provides superior control
- Improves visualization



Included With Kit

- 1 small base plate (No. 18200-03)
- 2 short fixators (No. 18200-01)
- 1 tall fixator (No. 18200-02)
- 1 elastomer, 2m roll (No. 18200-07)
- 10 retractors, blunt, 1mm wide (No. 18200-09)
- 10 retractors, blunt, 2.5mm wide (No. 18200-10)

Base Plates

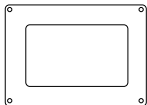
Base plates are available in small and large sizes. The small base plate is ideal for mouse surgeries, and the large base plate is best suited for rat, guinea pig and small rabbit procedures. Both have an internal window which allows the animal to rest upon either a temperature maintenance system or insulating material.

The base plates are made of ferromagnetic stainless steel and can be treated like other stainless steel trays.

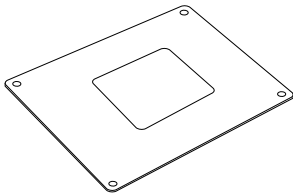
Base Plates



Small
20cm x 30cm
No. 18200-03



Large
25cm x 35cm
No. 18200-04



System Base Plate

Magnetic Fixators

Fixators are used to hold the retractors. They contain rare earth magnets that attach anywhere on the base plate. A push button top operates multi-level locking jaws that grip wire or elastomer firmly. They can be adjusted linearly or rotationally with finger-tip release.

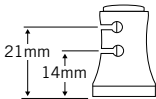
The magnetic field is well controlled within the fixator to minimize interference with sensitive instrumentation.

Magnetic Fixators

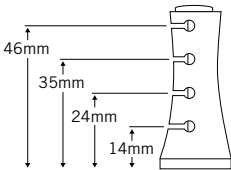
Magnetic fixators come in two sizes.

The short fixator offers two locking slots and is ideal for small animal procedures or where a low profile fixator is desired.

The tall fixator offers four locking slots and is best suited for large animal procedures.

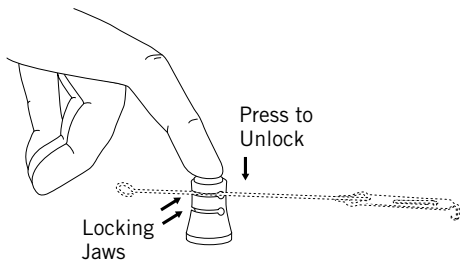


Short
No. 18200-01

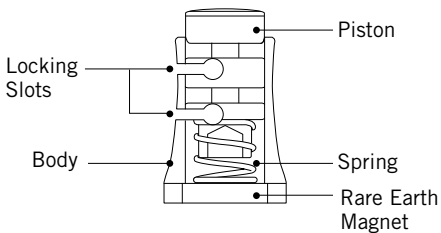


Tall
No. 18200-02

Magnetic Fixators

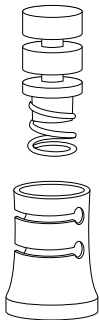


Anatomy of the Fixator



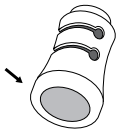
Magnetic Fixators

Fixators disassemble
for easy cleaning













CAUTION!

Rare earth magnet in
base should not be
exposed to temperatures
in excess of 300° F.



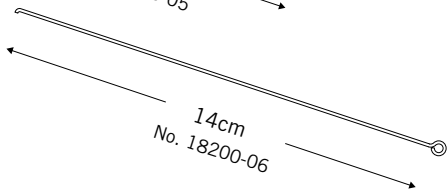
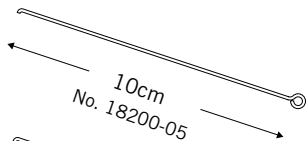
Retractor Components

Retractor Tips

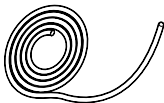
Tip Profile		
		Sharp use as a skin hook or as a traumatic tissue retractor No. 18200-08
		Blunt 1mm No. 18200-09
		2.5mm No. 18200-10
		5mm No. 18200-11
		7.5mm No. 18200-12

Retractor Components

Wire Handles



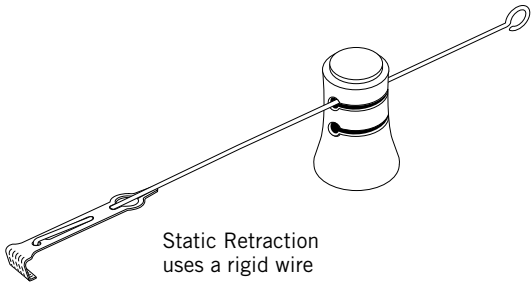
Elastomer



No. 18200-07

Static Retraction

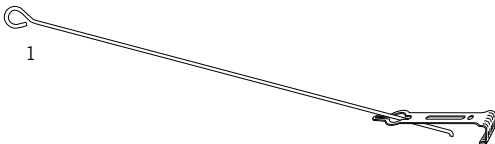
Static retraction uses wires to provide precise positioning of the wound margins.



Static Retraction
uses a rigid wire

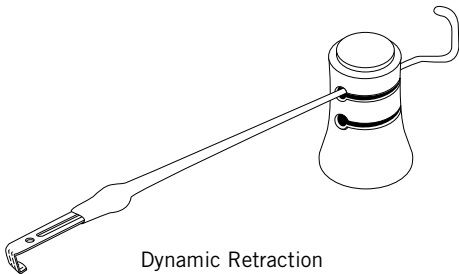
Static Retraction

A 10cm or 14cm wire handle interlocks with any retractor tip to form a static retractor.



Dynamic Retraction

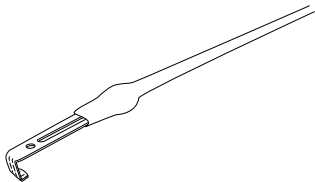
Dynamic retraction uses elastomer to provide a constant force on the wound margins.



Dynamic Retraction
uses elastomer

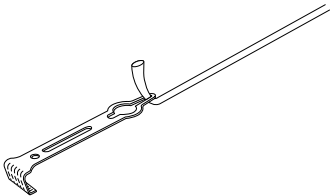
Dynamic Retraction

A length of elastomer can be over-sleeved (slid over) any retractor cleat to create permanent dynamic retractors.



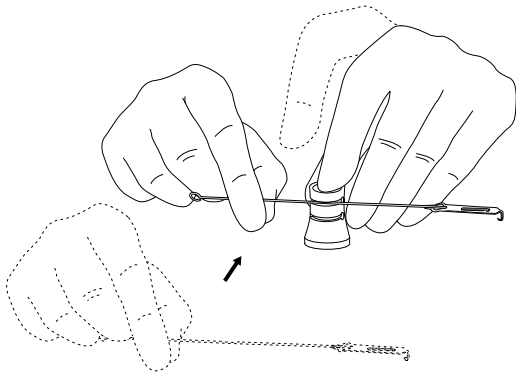
OR

A length of elastomer can be locked into the internal cleat of any retractor.



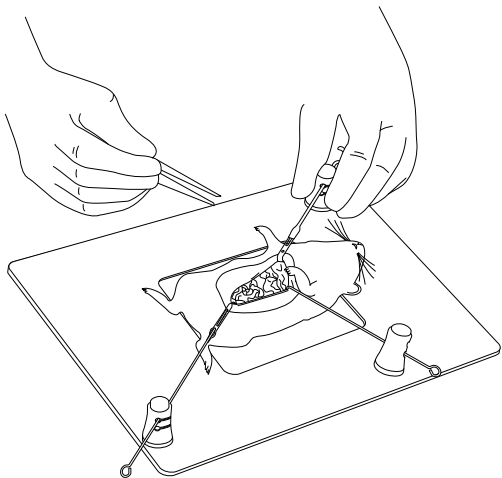
The System in Use

Either a wire or elastomer can be secured in the jaws of the fixator, and easily adjusted or retensioned at any point during the procedure.



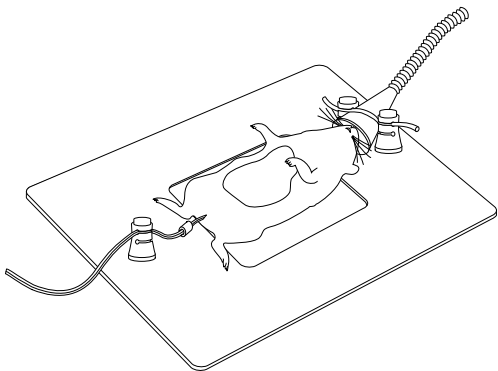
The System in Use

Fixators can also be repositioned at any time during the procedure.



The System in Use

Other components such as anesthesia inhalation cones can be wrapped in monofilament and positioned using the locking jaws of the fixators. Wires for devices such as temperature probes can be held directly by the fixator jaws.



Available Components

Small base plate
(20cm x 30cm)
No. 18200-03

Large base plate
(25cm x 35cm)
No. 18200-04

Short fixator, 2.5cm high
No. 18200-01

Tall fixator, 5cm high
No. 18200-02

Wire handles, 10cm long
Pkg. of 10
No. 18200-05

Wire handles, 14cm long
Pkg. of 10
No. 18200-06

Elastomer, 2 meter roll
No. 18200-07

Retractor, sharp point
Pkg. of 10
No. 18200-08

Retractor, blunt
1mm wide
Pkg. of 10
No. 18200-09

Retractor, blunt
2.5mm wide
Pkg. of 10
No. 18200-10

Retractor, blunt
5mm wide
Pkg. of 10
No. 18200-11

Retractor, blunt
7.5mm wide
Pkg. of 10
No. 18200-12



USA

(800) 521-2109

(650) 349-1636

Canada/International

(800) 665-5355

(604) 980-2481

Europe

+49 (0) 62 21 90 50 50